

YORK Survey Supply



Nothing else measures up!

Prospect House
George Cayley Drive
Clifton Moor
York
England
YO30 4XE

Tel: +44 (0) 1904 692723
Fax: +44 (0) 1904 690385

E-Mail: sales@yorksurvey.co.uk



YORK Survey Supply

Surveyor's Umbrella



Code: 70690

Operating Instructions

This umbrella has been subject to a quality control inspection prior to despatch. Please examine the umbrella before use in case of damage in transit and adhere to the following simple care instructions.

In order to prevent damage to the umbrella, it must be secured using a guy rope at all times when in use. In strong winds we strongly recommend the use of storm rods in addition to a guy rope.

Please take care when opening the umbrella: allow the cover to open before extending the runner.

After wet weather use, allow the umbrella to dry in the open position before furling. If used for sea fishing, please ensure that the cover and frame are wiped down to prevent salt water damage.

It is advisable that nylon covers should be re-proofed each season.

Please note that the extension spike is located within the top pole section.

Specifications:

FRAME

Steel frame with 40° tilt	x
Aluminium frame with 45°/90° tilt	✓
Aluminium frame with detachable centre pole	x
1 metre aluminium bottom spike	x
0.75 metre aluminium bottom spike	✓
Guy rope set	✓

RIB LENGTH

110 cm (45")	✓
125 cm (50")	x
150 cm (60")	x

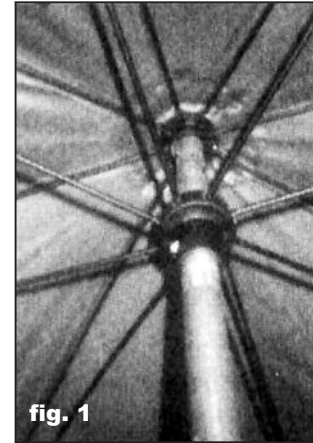
COVER

Nylon - sewn seams	✓
Matchlite (PVC coated nylon) - welded seams	x
Watertite (PVC) - welded seams	x
Wavelock (reinforced rip stop PVC) - welded seams	x

Please note that only welded panel covers are waterproof and will provide complete protection in prolonged bad weather. Sewn panel nylon covers are only showerproof and are not intended for use in prolonged bad weather.

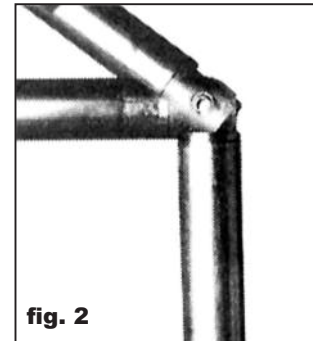
Dual Tilt Tilting Instructions

The Dual Tilt Umbrella features a unique tilt which can be either angled at 45° or at a full 90° to create a superb wind-break.



Erect the umbrella by sliding the runner up the centre pole until it connects into the top spring (fig. 1).

Unscrew the centre pole in an anti-clockwise direction and angle the umbrella at 45° or 90°.



Screw in a clockwise direction to set the tilt at the desired angle (fig. 2).

This umbrella has been built using high quality materials and has undergone a quality check before despatch. The potentially rigorous conditions to which it may be exposed, however, prevents any guarantee against breakage through misuse. This statement in no way affects your statutory rights.