

## Troubleshooting / FAQ

### There is no outdoor temperature shown on the unit

Press the RE-SYNC button on the main unit and the outdoor temperature will show within minutes. If no temperature is shown within 6 minutes of the RE-SYNC button being pressed, the remote unit is either too far away or there is some interference between the remote and main unit. Bring the remote unit to the main unit and re-synchronize. Then move the remote unit to a new location closer and in direct line with the main unit.



### The remote temperature is reading 40.5°C when the temperature is 15.5°C

The remote unit is in direct sunlight. Move it to a shaded, protected area.

### Care of Your Clock

- Avoid exposing your clock to extreme temperatures, water or severe shock.
- Avoid contact with any corrosive materials such as perfume, alcohol or cleaning agents.
- Do not subject the clock to excessive force, shock, dust, temperature or humidity. Any of these conditions may shorten the life of the clock.
- Do not tamper with any of the internal components of this clock. This will invalidate the warranty and may cause damage.

### Correct Usage of the Batteries

- Use 2x AA batteries and 2x AAA batteries.
- Do not mix standard and rechargeable batteries.
- Do not mix new and old batteries.
- When the low battery icon  appears on the display, replace all batteries with new ones. When the low battery icon  appears on the REMOTE temperature field, replace all batteries with new ones.

### Specification

#### Temperature Measuring Range

Receiver:	-50°C ~ +70°C with 0.1°C resolution -58°F ~ +158°F with 0.2°F resolution
Transmitter:	-50°C ~ +70°C with 0.1°C resolution -58°F ~ +158°F with 0.2°F resolution

#### Temperature Checking Interval:

Receiver:	every 16 seconds
Transmitter:	every 16 seconds

Transmission Distance: maximum 100 feet in open field, depending upon surrounding structures, mounting location and possible interfering sources.

Power Source (alkaline batteries recommended):

Receiver: 2x AAA 1.5V batteries

Transmitter: 2x AA 1.5V batteries

Battery Life: about 12 months

#### Dimensions (L x W x H)

Receiver: 110 x 21 x 65mm

Transmitter: 100 x 30 x 70mm

This device complies with Part 15 of the FCC Rules.

Operation is subject to the following two conditions: (1) This device may not cause harmful interference, and (2) This device must accept any interference received, including interference that may cause undesired operation.

Warning: Changes or modifications to this unit not expressly approved by the party responsible for compliance could void the user's authority to operate the equipment.

NOTE: This equipment has been tested and found to comply with the limits for a Class B digital device, pursuant to Part 15 of the FCC Rules. These limits are designed to provide reasonable protection against harmful interference in a residential installation. This equipment generates, uses and can radiate radio frequency energy and, if not installed and used in accordance with the instructions, may cause harmful interference to radio communications.

However, there is no guarantee that interference will not occur in a particular installation. If this equipment does cause harmful interference to radio or television reception, which can be determined by turning the equipment off and on, the user is encouraged to try to correct the interference by one or more of the following measures:

- Reorient or relocate the receiving antenna
- Increase the separation between the equipment and the receiver
- Connect the equipment into an outlet or a circuit different from that to which the receiver is connected
- Consult the dealer or an experienced radio/TV technician for help

# YORK Survey Supply




## Indoor/Outdoor Thermo-Hygrometer



## Operating Instructions



### Follow us!

-  York Survey Supply Centre
-  @York\_Survey
-  @York\_Survey

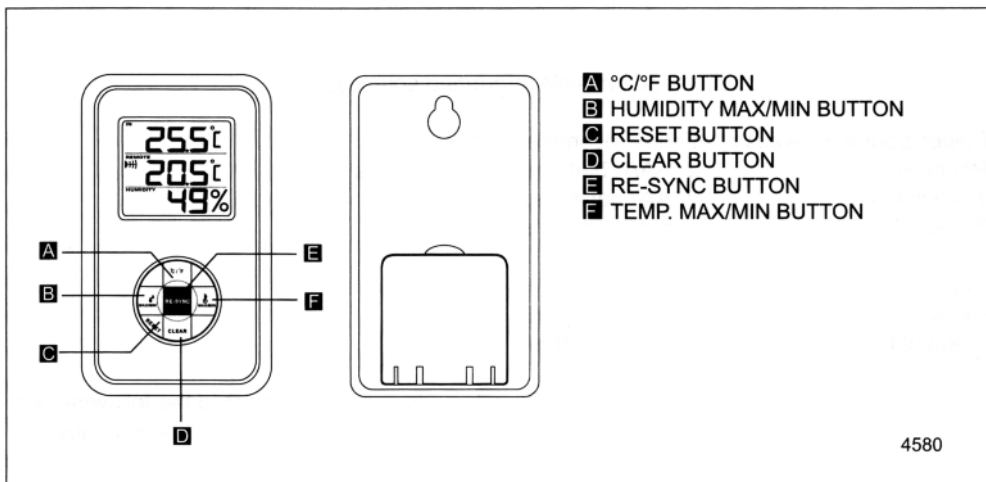
Prospect House, George Cayley Drive, Clifton Moor, York, England YO30 4XE

Tel: +44 (0) 1904 692723 Fax: +44 (0) 1904 690385  
E-Mail: [sales@yorksurvey.co.uk](mailto:sales@yorksurvey.co.uk) [www.yorksurvey.co.uk](http://www.yorksurvey.co.uk)

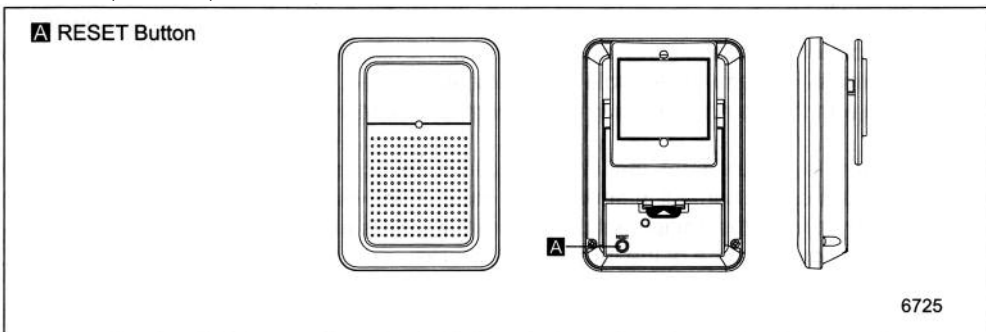
# Indoor/Outdoor Thermo-Hygrometer

## Locations of Controls

Main Unit (Receiver)



Remote Unit (Transmitter)



- The configuration of your clock may differ somewhat from that shown in the illustration.
- AA or AAA size battery. This clock may use more than one piece of battery. Please refer to the engraved battery marks inside the battery compartment for the correct battery type.

## Feature

- Indoor temperature and remote temperature
- Celsius or Fahrenheit readout
- Indoor, Outdoor temperature measurement range from -50°C ~ 70°C (-58°F ~ 158°F)
- Temperature resolution 0.1°C (0.2°F)
- Indoor hygrometer
- Indoor hygrometer measurement range from 1% ~ 99%
- Humidity resolution 1%
- Main unit operation temperature from 0°C ~ 50°C (32°F ~ 122°F)

## Before You Begin

To ensure proper functioning of the wireless thermometer, please follow this setup procedure.

- Insert batteries for the main unit (Refer to section on Battery Installation).
- Place the main unit as close as possible next to the remote unit and insert batteries for the remote unit.
- Position the remote unit within effective transmission range, which in usual circumstances is 20 to 30 metres (65 to 100 feet).

Note that the effective range is affected by the building materials and where the main and remote units are positioned, try various setups for the best results.

## Battery Installation

Battery installation of the main unit

- Open the battery door
- Remove whole set of old batteries
- Insert 2 fresh AAA size batteries in place of the old batteries. Insert them in proper position, matching the polarity (+) and (-) as indicated
- Close the battery door
- Press RESET button once

Battery installation of the remote unit

- Open the battery door
- Remove whole set of old batteries
- Insert 2 fresh AAA size batteries in place of the old batteries. Insert them in proper position, matching the polarity (+) and (-) as indicated
- Close the battery door
- Press RESET button once

Warning: Do not mix old and new batteries.

Do not mix alkaline, standard (carbon-zinc) or rechargeable (nickel-cadmium) batteries.

Do not touch any other button or setting on your main unit. It will automatically receive the remote temperature signal after batteries inserted.

## Getting Started

Upon power up of the remote unit (or pressing the RESET button), the temperature RF signal is immediately sent to the main unit. The main unit attempts to search the RF temperature signal for 5 minutes after power up (or pressing the RESET button).

If the RF signal is received within the first 5 minutes after power up of the main unit, the temperature will show on the remote temperature display, otherwise it will show blank --°F.

After the remote unit temperature is shown on the remote temperature display, the synchronization of main unit and remote unit is established. Place the remote unit outside in a shaded, dry area to protect it as if under an umbrella.

If the RF temperature signal is not received within the first 5 minutes, press the RE-SYNC button on the main unit. The main unit will attempt remote temperature for another 6 minutes.

## Check IN/REMOTE Temperature

The indoor temperature is displayed on the INDOOR temperature field and the REMOTE temperature will be shown on the REMOTE temperature field.

## Maximum and Minimum Temperature

The maximum and minimum recorded humidity reading will automatically be stored in the memory.

Press the TEMP MAX/MIN button once to display the INDOOR maximum and minimum record. Press the button again to show the REMOTE maximum and minimum record. The respective indicator, INDOOR and REMOTE will be displayed.

To clear the memory, press CLEAR button when the maximum when the maximum and minimum temperature records are shown, it will clear the record of the shown temperature field.

## Maximum and Minimum Humidity

The maximum and minimum recorded humidity reading will automatically be stored in the memory.

Press the HUMIDITY MAX/MIN button once to display the INDOOR maximum record. Press the button again to show the INDOOR minimum record. The respective indicator, MAX

and MIN will be displayed.

To clear the memory, press CLEAR button when the maximum or minimum humidity records are shown, it will clear the record of the shown field.

## Display Unit

The default unit for temperature is °F, press °C/°F button to toggle the display unit of temperature between °C and °F.

## Receiver Stage Indicator

The RF signal indicator in the base unit remote temperature window will show the following:

	<b>NO SIGNAL DETECTION</b>
	<b>SIGNAL DETECTION</b>
	<b>SUCCESSFUL RECEPTION</b>

## Losing Synchronization with the Wireless Thermometer

If the base unit displayed a proper remote temperature in the past but now displays blank --°F, the remote unit and the main unit may have lost synchronization. If this occurs, press the RE-SYNC button on the main unit. The main unit will attempt outdoor temperature reception for another 6 minutes and reinitiate synchronization with the remote unit. If the remote temperature cannot be received, check:

1. The distance of the main unit or remote unit should be at least 3-4 feet away from any interfering sources such as computer monitors or TV sets.
2. Avoid placing the main unit onto or in the immediate proximity of metal window frames.
3. Using other electrical products such as headphones or speakers operating on the same signal frequency (433MHz) may prevent correct signal transmission and reception.
4. Neighbours using electrical devices operating on the 433MHz signal frequency can also cause interference.

Note: When the 433MHz signal is received correctly, do not re-open the battery cover of either the remote unit or main unit, as the batteries may spring free from the contacts and force a false reset. Should this happen accidentally then reset both units. Otherwise transmission problems may occur.

The maximum transmission range is 100 feet from the remote unit to the main unit (in open space). However, this depends on the surrounding environment and interference levels. The temperature signal travels in a straight line from the remote unit to the clock. The signal will not curve around a blocking object. If no reception is possible, despite the observation of these factors, all units will have to be reset.

## Interference

Signals from other household devices, such as entry controls, door bells and home security systems may temporarily interfere with the units and cause reception failure. This is normal and does not affect the general performance of the product. The transmission and reception of temperature reading will resume once the interference has stopped.

(cont...)