



Nothing else measures up!

Follow us!



Prospect House
George Cayley Drive
Clifton Moor
York
England
YO30 4XE

Tel: +44 (0) 1904 692723
Fax: +44 (0) 1904 690385

E-Mail: sales@yorksurvey.co.uk



Humidity & Temperature Probe Meter



Code: 330550

Operating Instructions

Humidity & Temperature Probe Meter

Instruction Manual

1. INTRODUCTION

The 2 in 1 digital Humidity & Temperature Meter has been designed to combine the functions of humidity meter and temperature meter.

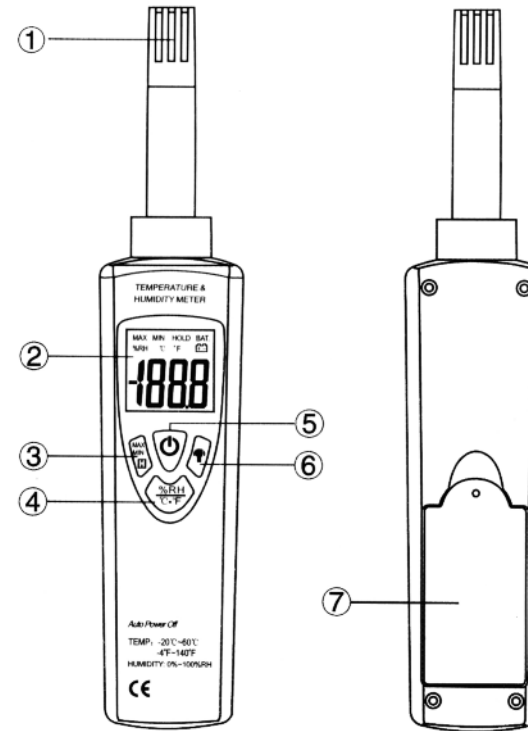
It is an ideal humidity and temperature meter instrument with scores of practical applications for professional and home use. The Humidity & Temperature Meter is for use a humidity/semiconductor sensor. This operations manual contains general information and specification.

2. FEATURES

- Mini size
- Fast response time
- Semiconductor sensor for temperature measurements of -20°C to 60°C and -4°F to 140°F with 0.1°C/°F resolution.
- Humidity measurement from 0%RH to 100%RH with 0.1%RH resolution.
- Data hold function.
- MIN and MAX Hold function.

3. SPECIFICATIONS

Display:	Large 3½ digital LCD display with backlight
Sensor Type:	(1) Humidity: Precision capacitance sensor (2) Temperature: Thermistor (probe) and type "K" thermocouple
Response Time:	Probe Temperature and Relative Humidity: 3 mins
Accuracy Note:	Accuracy is specified for the following ambient temperature range: 18 to 28°C (64 to 82°F)
Sampling Rate:	2.5 samples per second
Polarity:	Automatic (-) negative polarity indication
Over-range:	"OL" mark indication.
Low Battery Indication:	The battery icon is displayed when the battery voltage drops below the operating level
Operating Conditions:	0 to 50°C (32 to 122°F); < 80%RH non-condensing
Storage Conditions:	-10 to 60°C (14 to 140°F); < 80%RH non-condensing
Auto Power Off:	Meter automatically shuts down after approx. 15mins of inactivity
Power:	One standard 9V PP3 battery
Dimensions/Weight:	225 (H) x 45 (W) x 34mm (D) / 200g
Humidity/Temperature Measurement Range:	
Humidity:	0% to 100.0%RH
Temperature:	-20.0°C to +60.0°C (-4.0°F to +140°F)
Resolution:	0.1%RH, 0.1°C/°F
Humidity Accuracy:	±3.5%RH (at 25b, 5% to 95%RH)
Note:	The measuring range is from 0% to 100%, but above 95% and below 5% the deviation is not specified
Air Temp Accuracy:	±2.5°C; ±3.5°F



4. PANEL DESCRIPTION

- (1) Humidity/Air Temperature Probe (Humidity Sensor and Semiconductor Sensor inside)
- (2) LCD Display: 3½ digits LCD display with units of °C, °F, %RH and low battery "BAT" MIN/MAX HOLD, DATA HOLD indication.
- (3) MAX/MIN Recording/Data Hold Button: MAX/MIN: Press MAX/MIN/Hold to enter MAX, MIN Recording mode (manual range only). Select the proper range before selecting MAX MIN to ensure that the MAX/MIN reading will not exceed the testing range. Press once to select MIN. Press again to select MAX. and press again to release MIN/MAX recording function.
Data Hold: **Press and hold the button for over 2 seconds to turn on or off data hold function.** The reading will be held when when Data Hold button is pressed. If the button is pressed again for over 2 seconds it will release the hold and allow further measurement.
MAX Hold/MIN Hold: **Press and hold the button for over 2 seconds to turn on or off data hold function.**
- (4) %RH, °C, °F select button: Press %RH, °C, °F select button to enter select %RH, °C, °F measurement.
- (5) Power ON/OFF Button: Turn the meter power ON/OFF
- (6) Backlight Button: Turn the meter backlight ON/OFF
- (7) Battery Compartment

5. HUMIDITY AND AIR TEMPERATURE MEASUREMENTS

1. Hold the probe in the area to be tested and allow adequate time for readings to stabilise.
2. Press %RH, °C, °F Select Button to enter select %RH, °C, °F measurement.
3. Read the Relative Humidity and and Air Temperature.

NOTE: Do not immerse the probe in liquid; it is intended for use in air.

Warning: Don't expose the humidity sensor to direct sunlight (insolation). Don't touch or manipulate the humidity sensor.

6. BATTERY REPLACEMENT

If te battery icon appears in the LCD display, it indicates that the battery should be replaced. Open the battery case and replace the exhausted battery with a new battery. (1x 9V PP3 or equivalent)